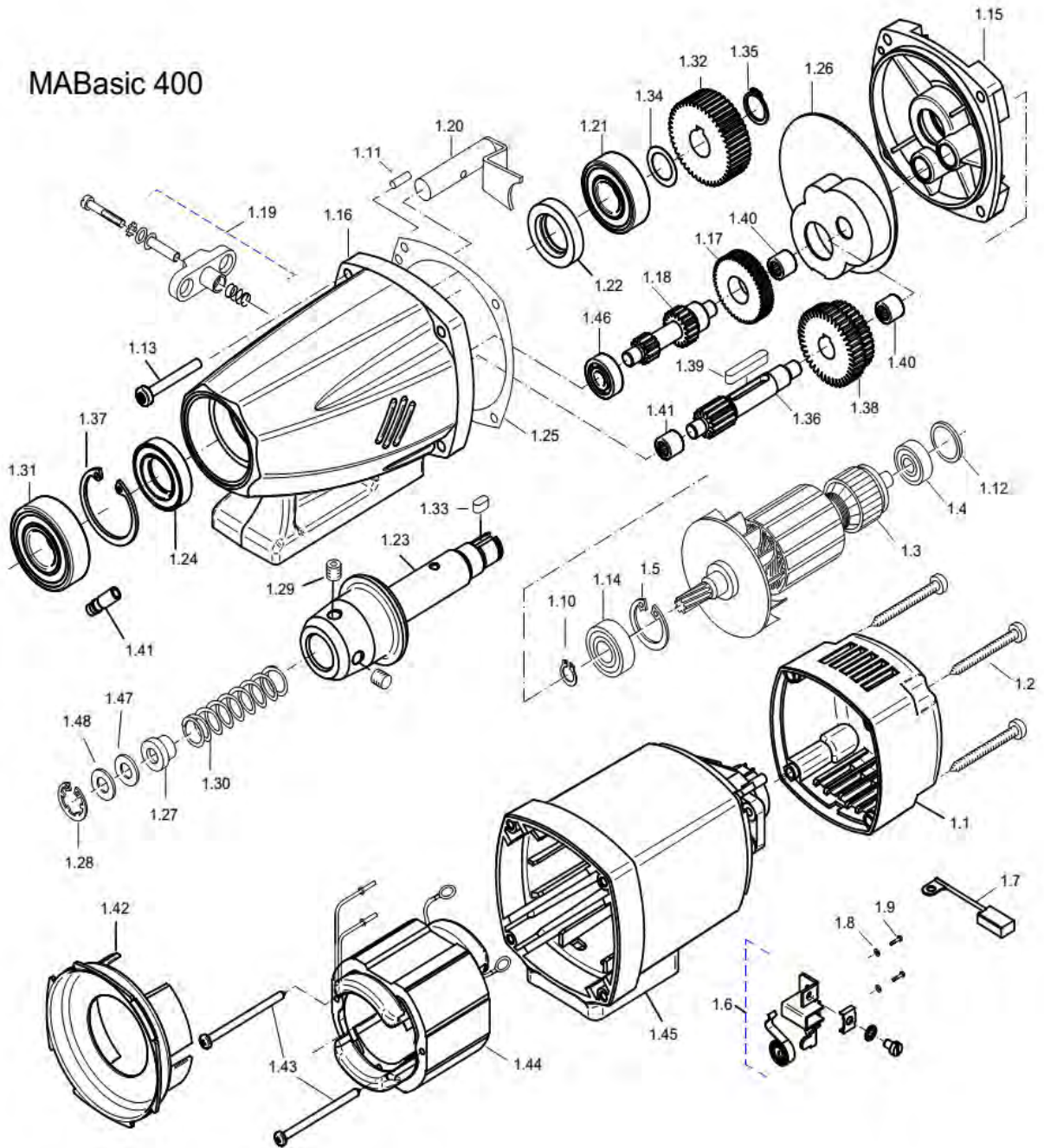


MABasic 400



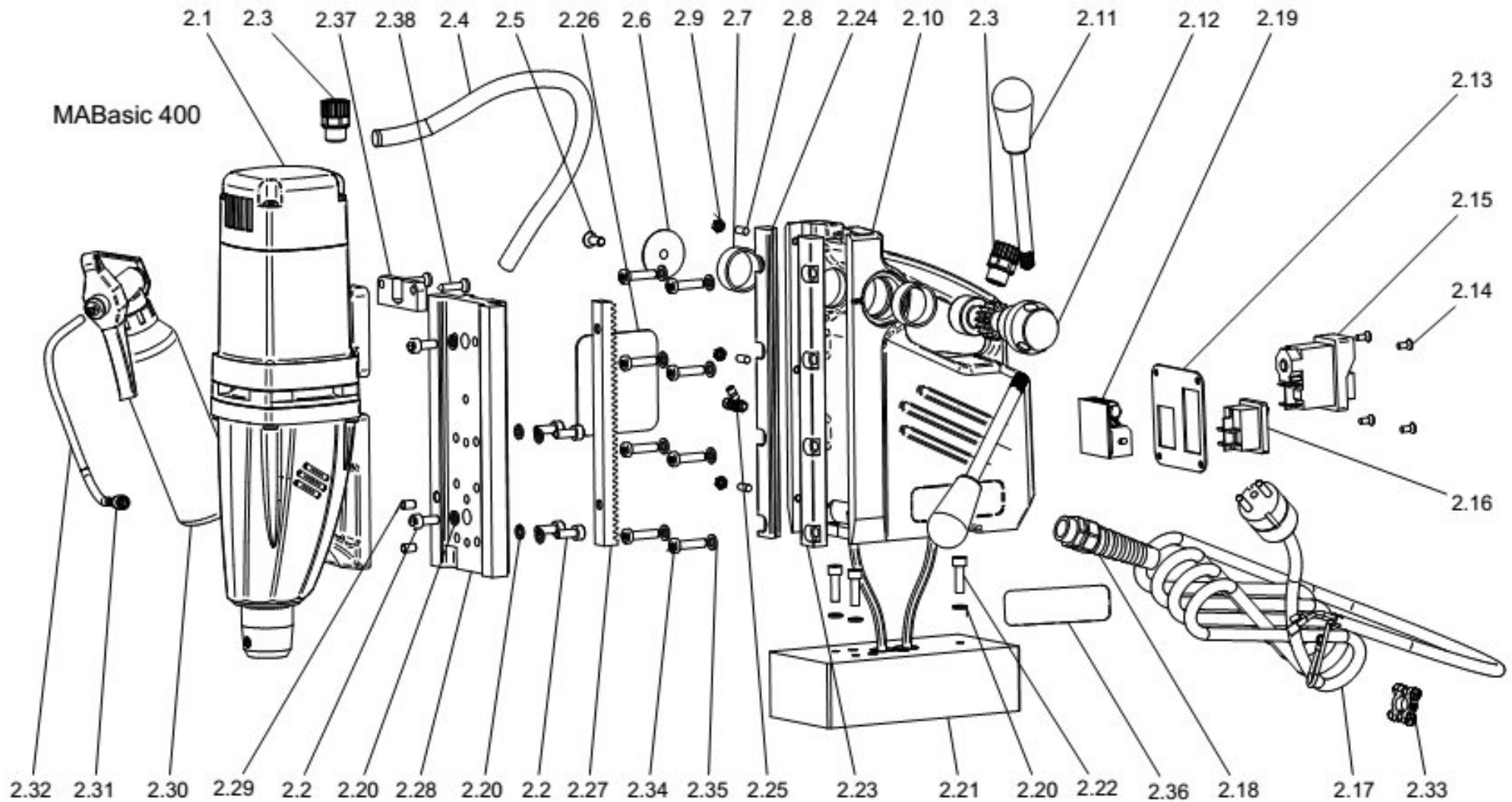
Pos. No.	Article no.	Description	pc
1.1	5010691	Cap f or motor housing	1
1.2	5010581	Sc rew HC 4,8x45 DIN 7981	4
1.3.1	5010661	Armature 110V	1
1.3.2	5010651	Armature 230V	1
1.4	5010061	Bal l bearing 608 2Z	1
1.5	5010271	Cir clip ring 28/1,2 DIN 472	1
1.6	5010561	Carbo n brush holder	2
1.7	5010571	Carbo n brush 6,3x10x18	2
1.8	5013981	Corr ugated spring washer B4 DIN 137	4
1.9	5013991	Sc rew ZM4x12	4
1.10	5010711	Cir clip ring 11/1 DIN 471	1
1.11	5010291	Pin M4x12 DIN 1474	1
1.12	5010591	O-Ring 22x2,5	1
1.13	5015231	PT -Screw 50x40	4
1.14	5010081	Bal l bearing 6001 2Z	1
1.15	5010731	Gear box bearing plate	1
1.16	5015261	Gear box housing	1
1.17	5010541	Intermediate wheel 34 teeth	1
1.18	5010421	Sha ft with 2 pinions 19/11 teeth	1
1.19	5010521	Gear change complete	1
1.20	5010761	Clutch complete	1
1.21	5010611	Bal l bearing 6203 2RS	1
1.22	5013461	Sha ft seal 20x35x7	1
1.23	5015271	Spindle	1
1.24	5015281	Sha ft seal 20x37x8	1
1.25	5015111	Gear box gasket	1
1.26	5010771	Sha ft seal for grease chamber	1
1.27	5014691	Spring bracket	1
1.28	6010161	Cir clip ring JK 19/1	1
1.29	6010181	Set screw M8x8 DIN 913	2
1.30	5014681	Pressure spring	1
1.31	5015291	Bal l bearing 6204 2RS	1
1.32	5015301	Spindle gear wheel 40 teeth	1
1.33	5010751	Spring A5x5x12 DIN 6885	1
1.34	5010531	Was her 15x22x0,2 DIN 988	1
1.35	5010721	Cir clip ring 15/1 DIN 471	1
1.36	5015311	Sha ft for gear wheel 18 teeth	1
1.37	5015321	Cir clip ring 37/1,5 DIN 472	1
1.38	5010632	Gear wheel block 34/40 teeth	1
1.39	5010501	Spring A5x5x28 DIN 6885	1
1.40	5010351	Needle bearing HK 0810 DIN 625	2
1.41	5014591	Needle Bearing DL 0810	1
1.42	5010641	Air conducting ring	1
1.43	5010031	Screw HC 3,9 x 60 DIN 7981	2
1.44.1	5012741	Field coil 110V	1
1.44.2	5010671	Field coil 230V	1
1.45	5010701	Motor housing complete	1



Spare part list 2014

MABasic 400 Motor

Pos. No.	Article no.	Description	pc
1.46	5010071	Ball bearing 608	1
1.47	5014701	Rubber ring 19x11x1,5	1
1.48	5014711	Disc	1



Pos. No.	Article no.	Description	pc
2.1.1	5104111	Motor complete 110V	1
2.1.2	5104011	Motor complete 230V	1
2.2	6010011	Hexag on socket M6x16 DIN 912	6
2.3	7010021	Gland PG 9	2
2.4	7010001	Cable p rotection tube 440mm	1
2.5	6010231	Sc rew M6x16 ISO 7047	1
2.6	6010221	Was her for gear wheel 10,5x35x1,5	1
2.7	3020005	Sl ide bearing 28x32x12	2
2.8	6015431	Set screw M5x12 DIN 913	3
2.9	6010031	Nut M5 DIN 9 34	3
2.10	3020001	Housi ng for guide rails both sides screwed	1
2.11	6010243	Handl e rod with knob	3
2.12	4010181	Gea r shaft	1
2.13	7011811	Front plate	1
2.14	7010081	Sc rew M4x8 DIN 966	4
2.15.1	7010931	Actu ator 110V	1
2.15.2	7010801	Actu ator 230V	1
2.16	7010142	Magnet sw itch, 4 connection terminals	1
2.17.1.1	7010052	Connec tion cable 110 V with GB-plug	1
2.17.2.1	7010242	Connec tion cable 110V with US-plug	1
2.17.1.2	7010042	Connec tion cable 230V complete with plug	1
2.18	7010031	Mains cable gland PG 11	1
2.19	7010812	Control board 110 V + 230 V, 6 connection terminals	1
2.20	6010021	Spring washer 6,1 DIN 7980	9
2.21	6010052	Magnet (el ectric) without indicator (3 holes)	1
2.22	6010091	Hexag on socket M6x20 DIN 912	3
2.23	6012262	Adjustment rail right, screwed	1
2.24	6012252	Adjustment rail left, screwed	1
2.25	7010061	Earthi ng complete	1
2.26	7021001	Cover of housing, back side	1
2.27	6010081	Rack	1
2.28	4000252	Doveta il carriage	1
2.29	4000101	Pin, hardened, 6m6x10 DIN 6325	2
2.30	7014221	Pum p for coolant	1
2.31	ZSS 200K	Quick change coupling	1
2.32	ZSS 200STL	Cooling tube, transparent, 400 mm	1
2.33	4010291	Cord g rip for connection cable	1
2.34	6050141	Sc rew M6x25 DIN 7984	8
2.35	6013441	Dis c 6,4x11x1,6 DIN 433	8
2.36	7024001	Front label	1
2.37	7014231	Cover f or cable gland	1
2.38	5014981	Sc rew 4,8x25 ISO 14586	2

